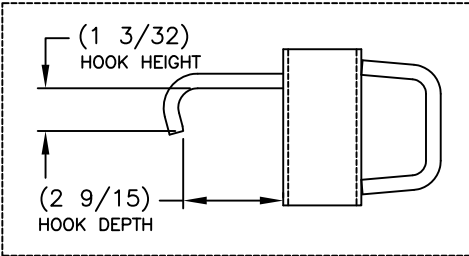
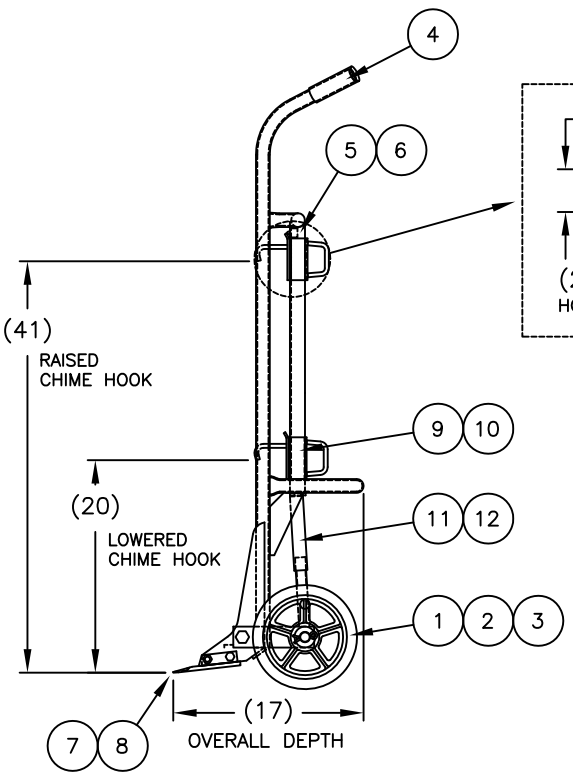
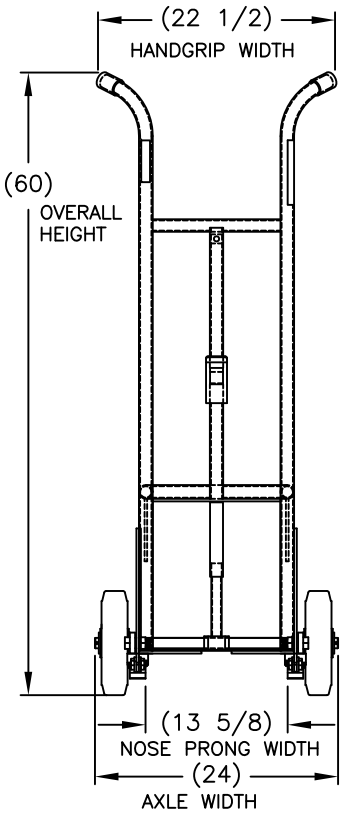


P/N 240003

Model: 20BT  
 Capacity: 1,000 lbs  
 Weight: 74 lbs  
 Wheel: 10" x 2-1/2"  
 Moldon Rubber

REPLACEMENT PARTS LIST

1	150596	WHEEL: "BT-1" 10 X 2.5"	2
2	108208	WASHER: FLAT 1" SAE	4
3	108218	COTTER PIN 3/16 X 1.5"	2
4	108433	HANDGRIP: YELLOW 1-1/4"	2
5	105312	BALL PLUNGER	1
6	150018	RETAINER: TOOTHLESS	1
7	240060	SET: NOSE PRONG	1
8	051355	SET: HARDWARE, NOSEPRONG	1
9	108443	AXLE SPRING (20BT)	1
10	051346	UPPER SPRING HOUSING	1
11	051347	ASS'Y: FLOATING AXLE	1
12	051356	SET: HARDWARE, AXLE	1
13	-	BOX	



DRUM TRUCK Features:

- Industrial strength heavy duty 1" structural pipe frames.
- All joints double welded.
- High quality cast iron center moldon rubber wheel with 1" (ID) roller bearings.
- Polyolefin wheel is cost competitive and resistant to most environments that may damage rubber wheels.
- All trucks can be stored standing upright.
- Engineered to handle 55 gallon steel drum.
- capacity: 1,000 lbs.

20BT/20BTW DELUXE Features:

- An industry standard.
- Floating axle reduces effort required to break over and balance load.
- Easiest drum truck for one person to use.
- Chime hook can be stored at the top of the frame for easy use.
- Replaceable hard faced double beveled nose prongs.
- Self-standing
- With wheels resting on floor 20" to center of lowered chime hook.

PRINT ISSUED

NOV. 10, 2006

WESCO MANUFACTURING  
 ENGINEERING DEPARTMENT

R W S  
 10-22-12  
 UPDATED  
 G

AP  
 EGN & DATE  
 REVISIONS  
 REV.

**WESCO INDUSTRIAL PRODUCTS INC.**  
 NORTH WALES PENNA. 19454

PART NAME: **20BT DRUM TRUCKS**

DRAWN: LDU 8-9-00

CHECKED:

APP. ENGR.

TOLERANCE UNLESS OTHERWISE SPECIFIED

FRACTION	3 PLACE DECIMAL	2 PLACE DECIMAL
± 1/64	± .005	± .01

ANGULAR ± 1-1/2" SHEET 1 OF 1

BREAK ALL SHARP EDGES AND REMOVE ALL BURRS

SCALE: 1" = 12"

**B- 240003** REV G